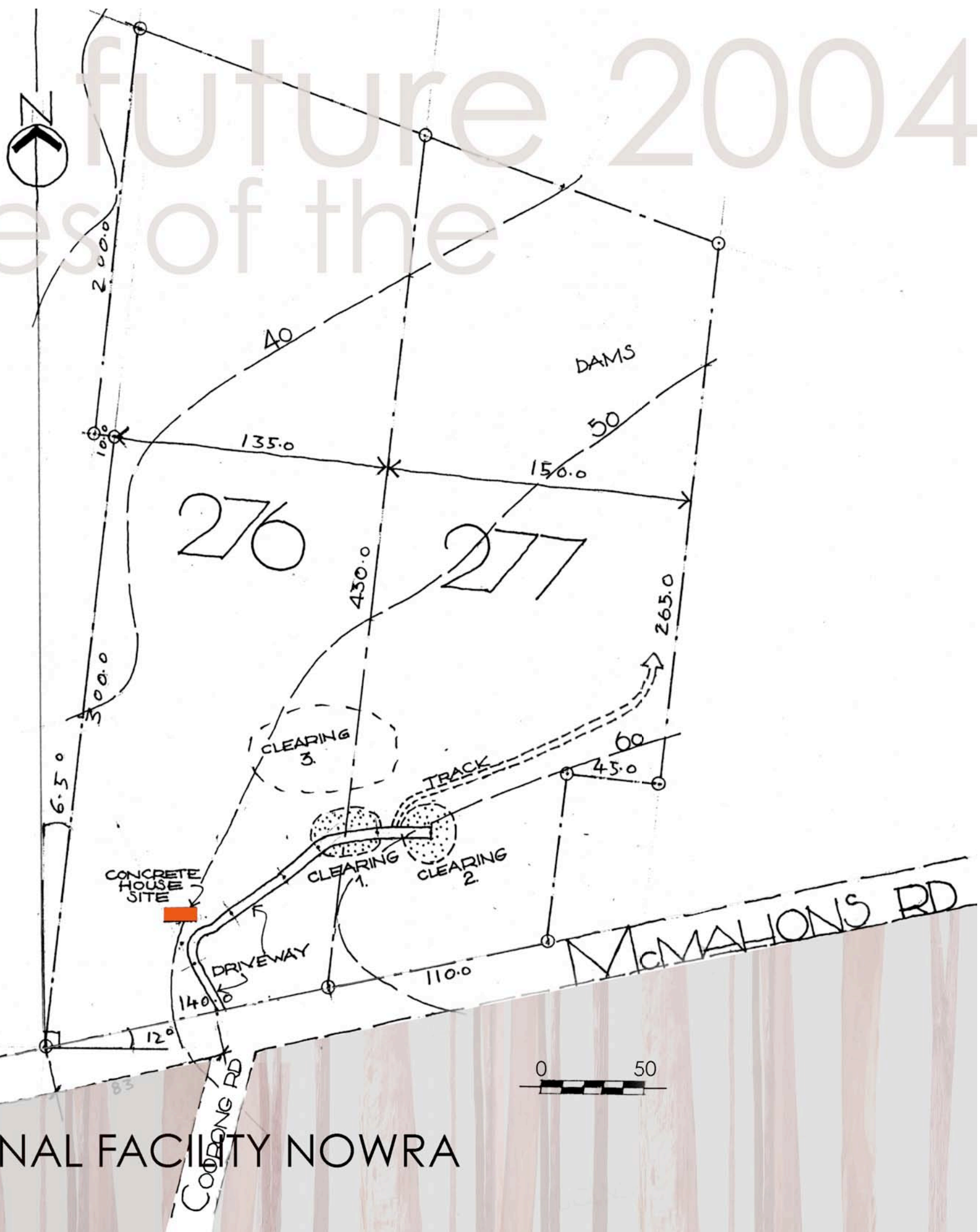
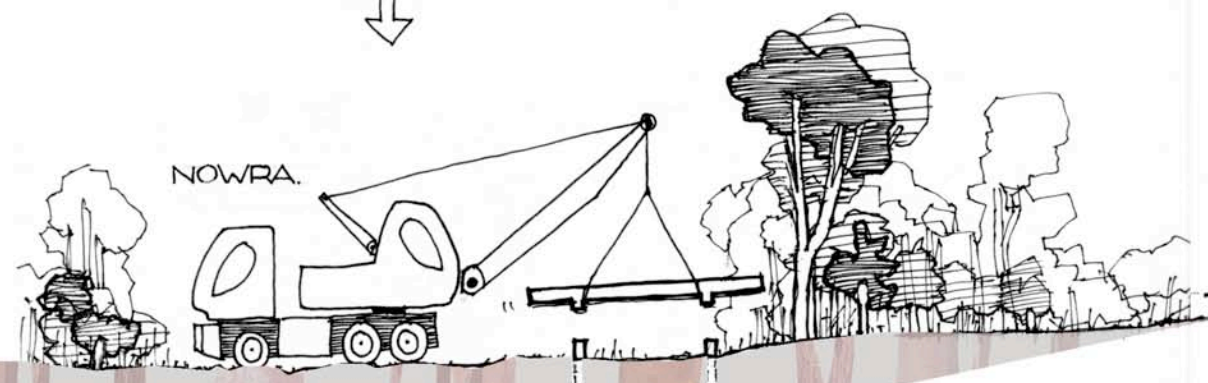
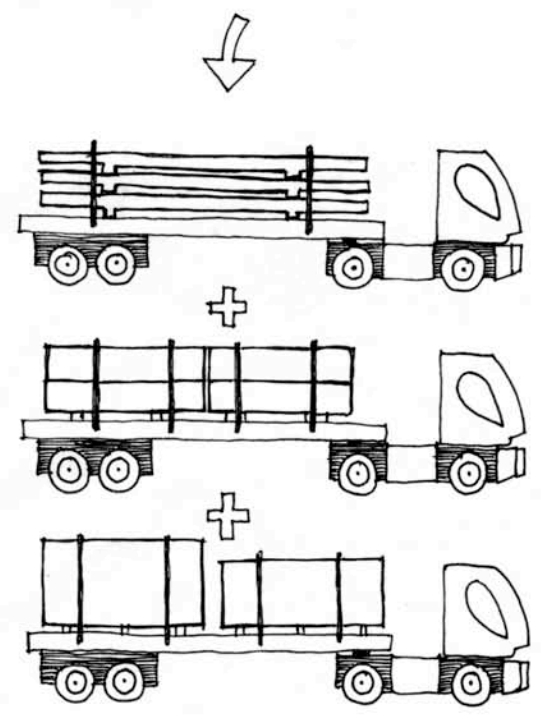
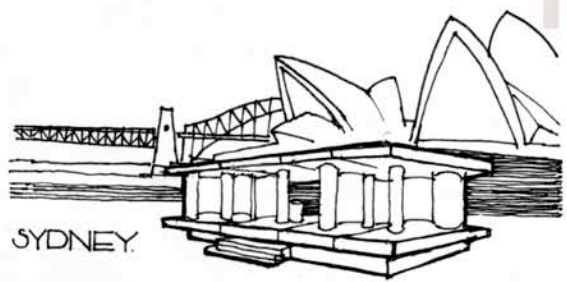
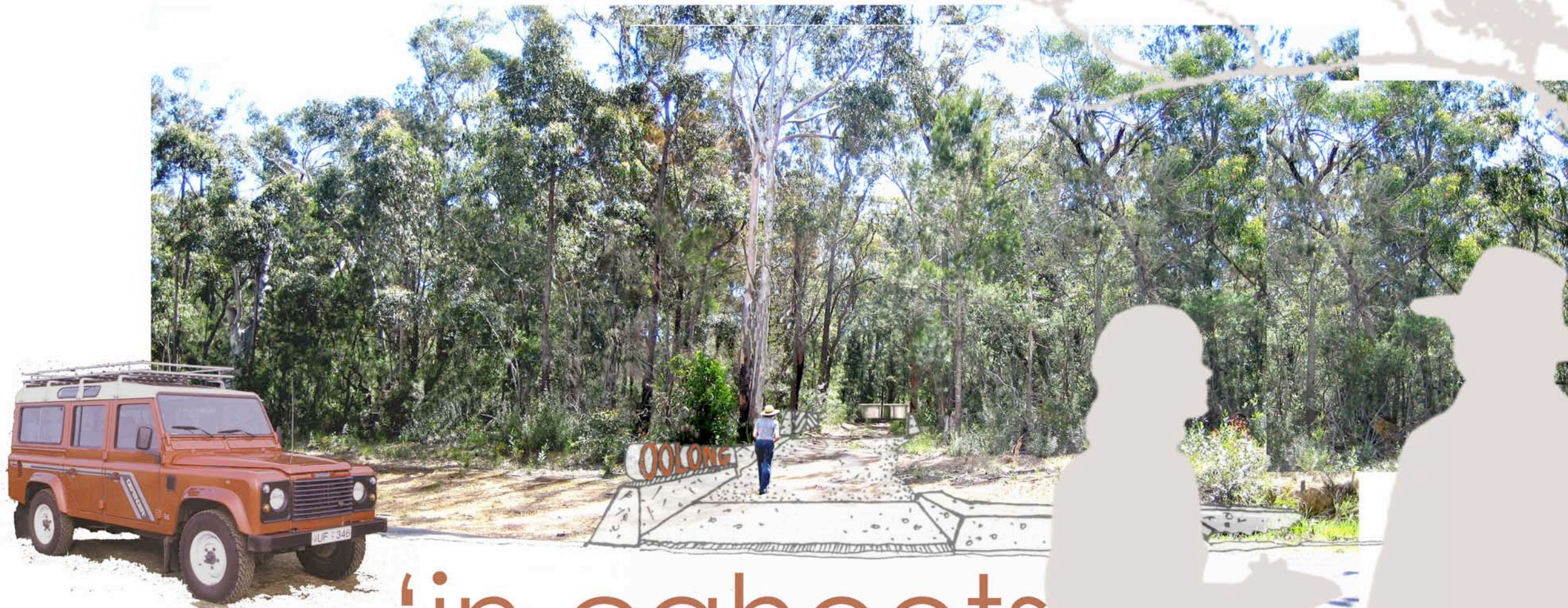


future 2004
houses of the



OOLONG OUTREACH EDUCATIONAL FACILITY NOWRA



'in cahoots
with strong roots'

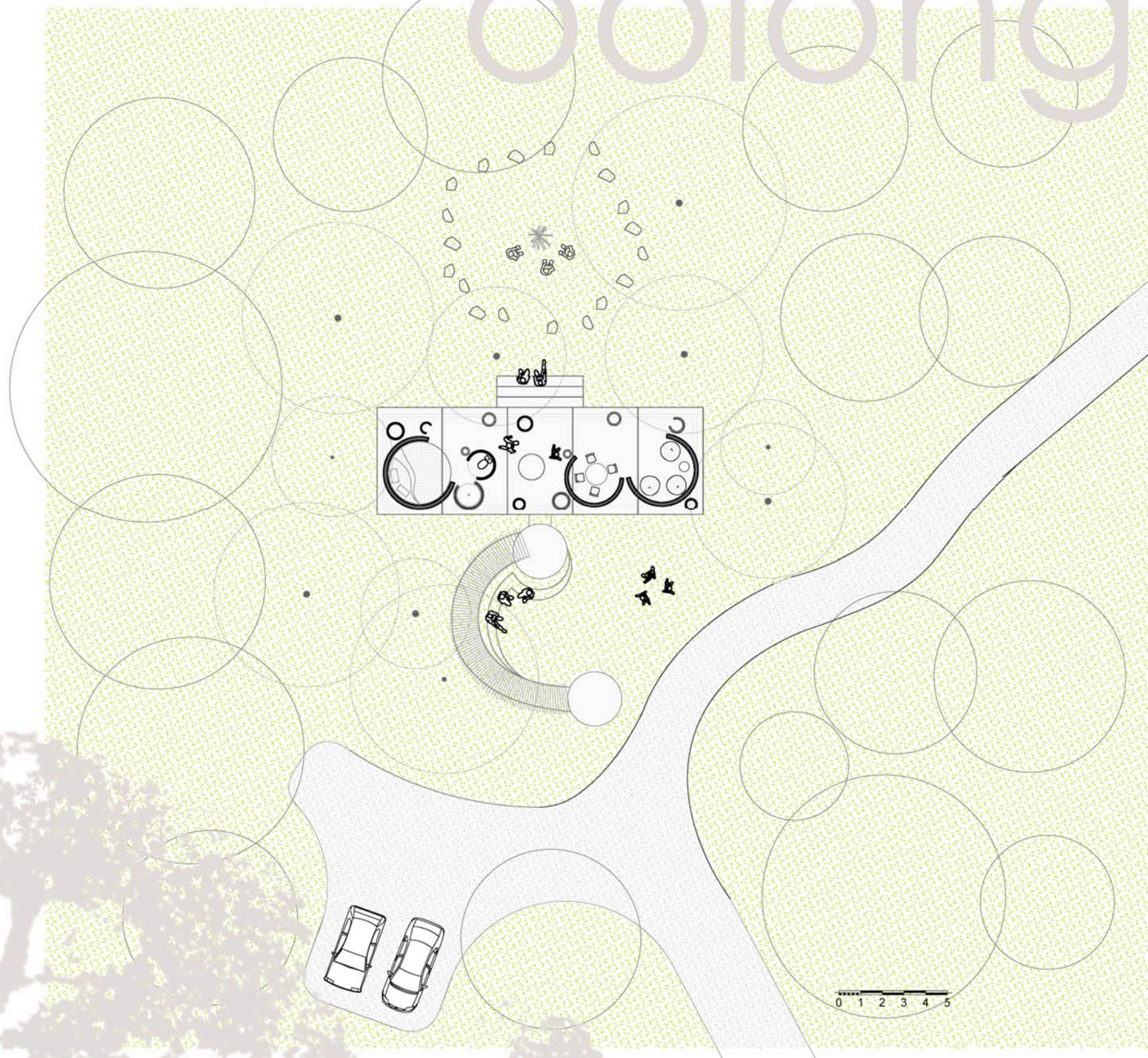
OOLONG OUTREACH EDUCATIONAL FACILITY NOWRA



concrete house

OOLONG OUTREACH EDUCATIONAL FACILITY NOWRA

oolong house



- HOUSES OF THE FUTURE EXHIBITION 2004 - SYDNEY + BEYOND.
- THE CONCRETE HOUSE (BY NSW GOVT: PETER POULET + MICHAEL HARVEY ARCHITECTS. CEMENT + CONCRETE AGGREGATES AUSTRALIA). RELOCATED TO NOWRA, NSW.
- 'OOLONG OUTREACH EDUCATIONAL FACILITY'
- 'in cahoots with strong roots.'
- A NEW FOUNDATION SHELTER.
- A BUSHLAND SETTING.
- NESTLED, PRIVATE YET VISIBLE FROM THE STREET.
- INSIDE/OUTSIDE RELATIONSHIP.
- COOL IN SUMMER/WARM IN WINTER.
- OPEN PLANNING.
- SOCIAL GROUPINGS.
- LONGLIFE, + BUSHFIRE RESISTANT PROPERTIES.
- GRAVITY KEEPS THE BUILDING TOGETHER!



OOLONG OUTREACH EDUCATIONAL FACILITY NOWRA